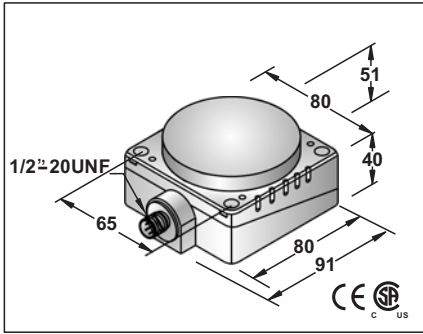




## AC CAPACITIVE PROXIMITY SWITCH PLASTIC HOUSING SQUARE CONNECTOR TYPE

Q80
○
5-50mm (adjustable)
PBT RESIN
●

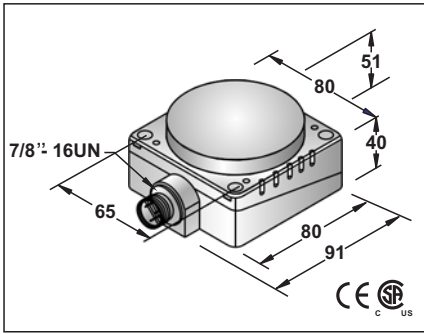


20-250VAC
-
<2.5mA
300mA
2.5mA
5A
5mA
<9VAC AT 300MA
<25HZ
10ms/10ms
<15%(Sr)
<5%(Sr)
IP67
-25°C - +70°C
<10%(Sr)
-
<25ms
RFI>3V/m / EFT>1KV / ESD>4KV (contact)
IEC 60947-5-2,Part 7.4.1 / IEC 60947-5-2,Part 7.4.2
PBT


CQP2-8050A-AUL3T	58
CQP2-8050A-BUL3T	58
CQP2-8050A-CUL5T	62

approx.100g
-------------

Q80
○
5-50mm (adjustable)
PBT RESIN
●

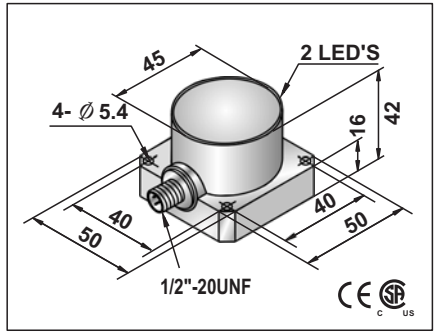


20-250VAC
-
<2.5mA
300mA
2.5mA
5A
5mA
<9VAC AT 300MA
<25HZ
10ms/10ms
<15%(Sr)
<5%(Sr)
IP67
-25°C - +70°C
<10%(Sr)
-
<25ms
RFI>3V/m / EFT>1KV / ESD>4KV (contact)
IEC 60947-5-2,Part 7.4.1 / IEC 60947-5-2,Part 7.4.2
PBT


CQP2-8050A-AZL2T	66
CQP2-8050A-BZL2T	66
CQP2-8050A-CZL4T	70

approx.100g
-------------

Q50s
○
2-30mm (adjustable)
PBT RESIN
●



20-250VAC
-
<2.5mA
300mA
2.5mA
5A
5mA
<9VAC AT 300MA
<25HZ
10ms/10ms
<15%(Sr)
<5%(Sr)
IP67
-25°C - +70°C
<10%(Sr)
-
<25ms
RFI>3V/m / EFT>1KV / ESD>4KV (contact)
IEC 60947-5-2,Part 7.4.1 / IEC 60947-5-2,Part 7.4.2
PBT

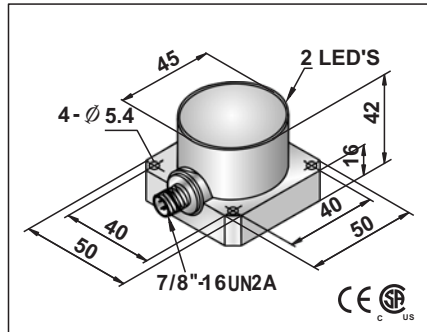

CQP2-5030A-AUL3T	58
CQP2-5030A-BUL3T	58
CQP2-5030A-CUL5T	62

approx.70g
------------

Note:  
Coming Soon : Part numbers with underline

## AC CAPACITIVE PROXIMITY SWITCH PLASTIC HOUSING SQUARE CONNECTOR TYPE

<b>Q50s</b>
○
2-30mm (adjustable)
PBT RESIN
●

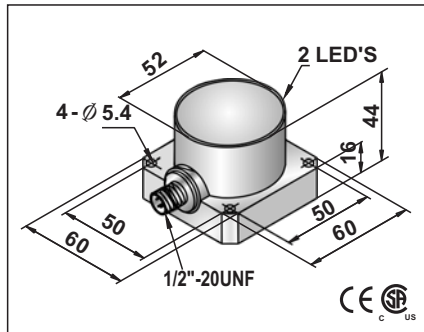


20-250VAC
-
<2.5mA
300mA
2.5mA
5A
5mA
<9VAC AT 300MA
<25HZ
10ms/10ms
<15%(Sr)
<5%(Sr)
IP67
-25°C--+70°C
<10%(Sr)
-
-
<25ms
RFI>3V/m / EFT>1KV / ESD>4KV (contact)
IEC 60947-5-2,Part 7.4.1 / IEC 60947-5-2,Part 7.4.2
PBT

<u>CQP2-5030A-AZL2T</u>	66
<u>CQP2-5030A-BZL2T</u>	66
<u>CQP2-5030A-CZL4T</u>	70

approx.100g
-------------

<b>Q60s</b>
○
2-40mm (adjustable)
PBT RESIN
●

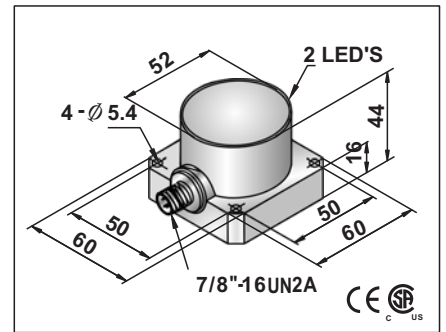


20-250VAC
-
<2.5mA
300mA
2.5mA
5A
5mA
<9VAC AT 300MA
<25HZ
10ms/10ms
<15%(Sr)
<5%(Sr)
IP67
-25°C--+70°C
<10%(Sr)
-
-
<25ms
RFI>3V/m / EFT>1KV / ESD>4KV (contact)
IEC 60947-5-2,Part 7.4.1 / IEC 60947-5-2,Part 7.4.2
PBT

<u>CQP2-6040A-AUL3T</u>	58
<u>CQP2-6040A-BUL3T</u>	58
<u>CQP2-6040A-CUL5T</u>	62

approx.100g
-------------

<b>Q60s</b>
○
2-40mm (adjustable)
PBT RESIN
●



20-250VAC
-
<2.5mA
300mA
2.5mA
5A
5mA
<9VAC AT 300MA
<25HZ
10ms/10ms
<15%(Sr)
<5%(Sr)
IP67
-25°C--+70°C
<10%(Sr)
-
-
<25ms
RFI>3V/m / EFT>1KV / ESD>4KV (contact)
IEC 60947-5-2,Part 7.4.1 / IEC 60947-5-2,Part 7.4.2
PBT

<u>CQP2-6040A-AZL2T</u>	66
<u>CQP2-6040A-BZL2T</u>	66
<u>CQP2-6040A-CZL4T</u>	69

approx.70g
------------

Note:  
Coming Soon : Part numbers with underline